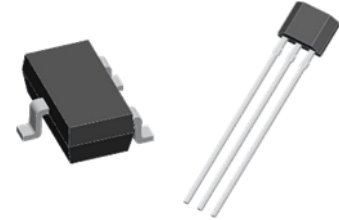


# KTM1312

## Unipolar South Pole Switching Sensor with open drain output interface

The KTM1312 is an unipolar(south-pole) magnetic switch integrated with Tunneling Magnetoresistance (TMR) technology and CMOS process for use in industrial and consumer switch applications. The IC internally includes a TMR bridge, a voltage regulator for operation with supply voltage from 1.8V to 5.5V, digital logic control module, threshold adjustment module, Schmitt trigger and a open drain output. If the magnetic flux density parallel to the part marking surface is larger than operating point (BOPS), the output will be turned on; if it is less than releasing point (BRPS), the output will be turned off.



The KTM1312 family provides a variety of package to customers: SOT-23-3L for surface mount and TO-92S flat for through-hole mount.

### Absolute Maximum Ratings

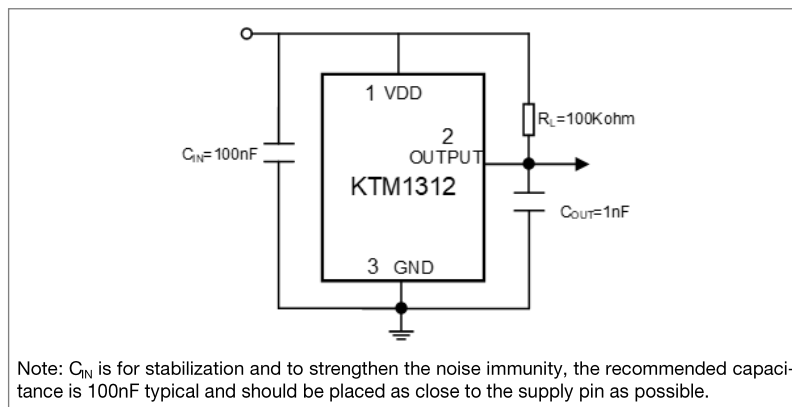
In accordance with the absolute maximum rating system (IEC60134).

Symbol	Parameter	Min.	Max.	Unit
V <sub>CC</sub>	Supply voltage	-0.3	6.0	V
I <sub>Output</sub>	Output drive current	-	5	mA
B	Withstand magnetic field <5 min	-	3000	G
T <sub>junction</sub>	Maximum junction temperature	-	+150	°C
T <sub>stg(others)</sub>	Storage temperature	-50	+150	°C
T <sub>working</sub>	Working temperature	-40	+85	°C
T <sub>reflow</sub>	Reflow soldering temperature	-	+260	°C
ESD <sub>HBM</sub>	Human body model ESD	-	8000	V

Stresses beyond those listed under "Absolute maximum ratings" may cause permanent damage to the device.

This is a stress rating only and functional operation of the device at these or any other conditions beyond those indicated in the operational sections of this specification is not implied. Exposure to absolute maximum rating conditions for extended periods may affect device reliability.

### Application circuit schematic



### Features

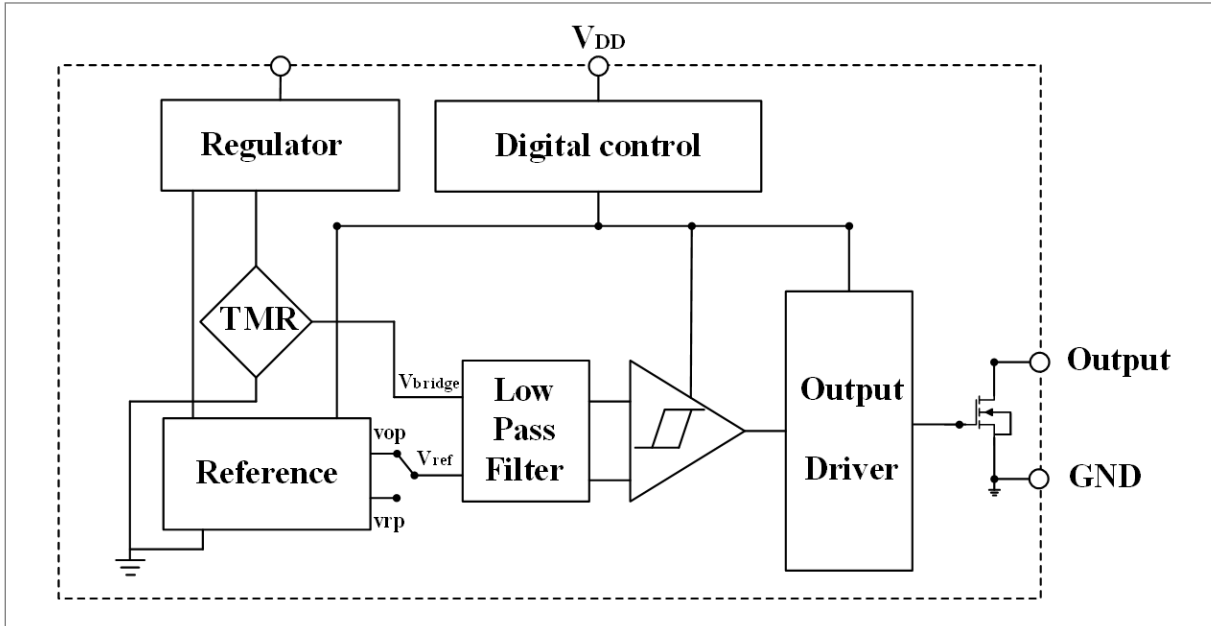
- TMR+CMOS Monolithic Structure
- Ultra low power consumption
- Wide operating voltage range
- Selectable Magnetic Field Threshold
- Magnetic Type: South pole
- Open drain output interface
- Operation temperature range from -40 °C to +85 °C
- Excellent ESD performance

### Application

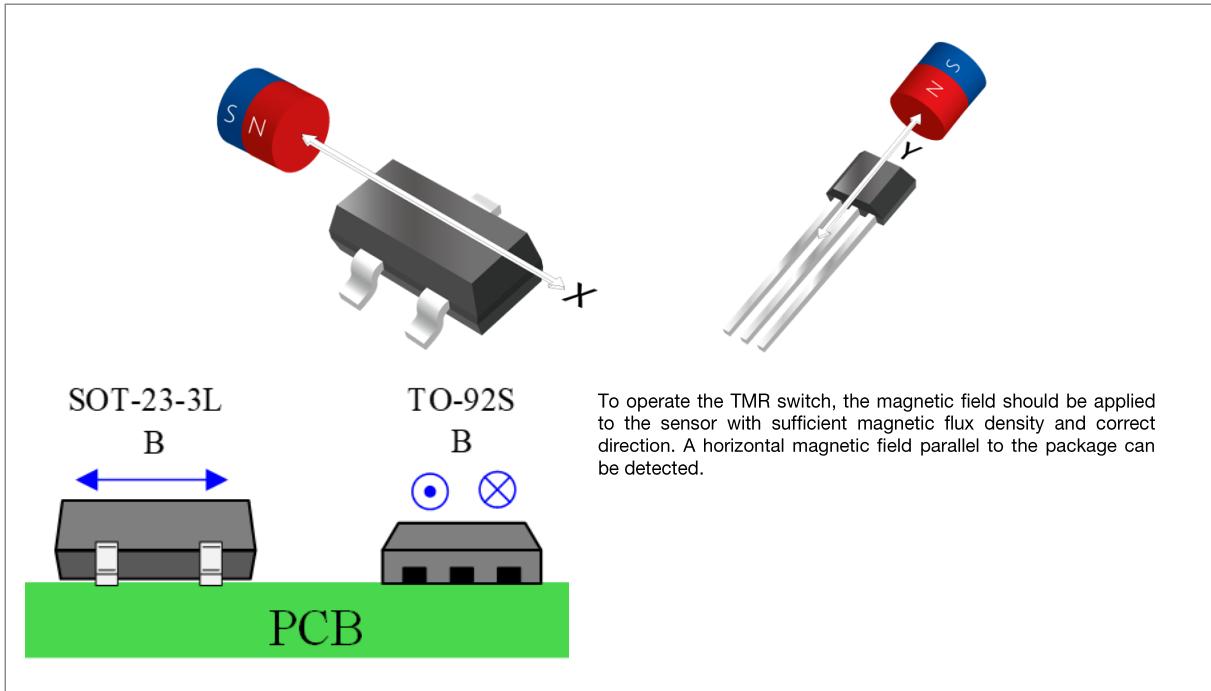
- Water meter, gas meter, flow meter
- Non-contact detection
- Electronic lock, valve position detection
- Laptop and Tablet Switch Detection



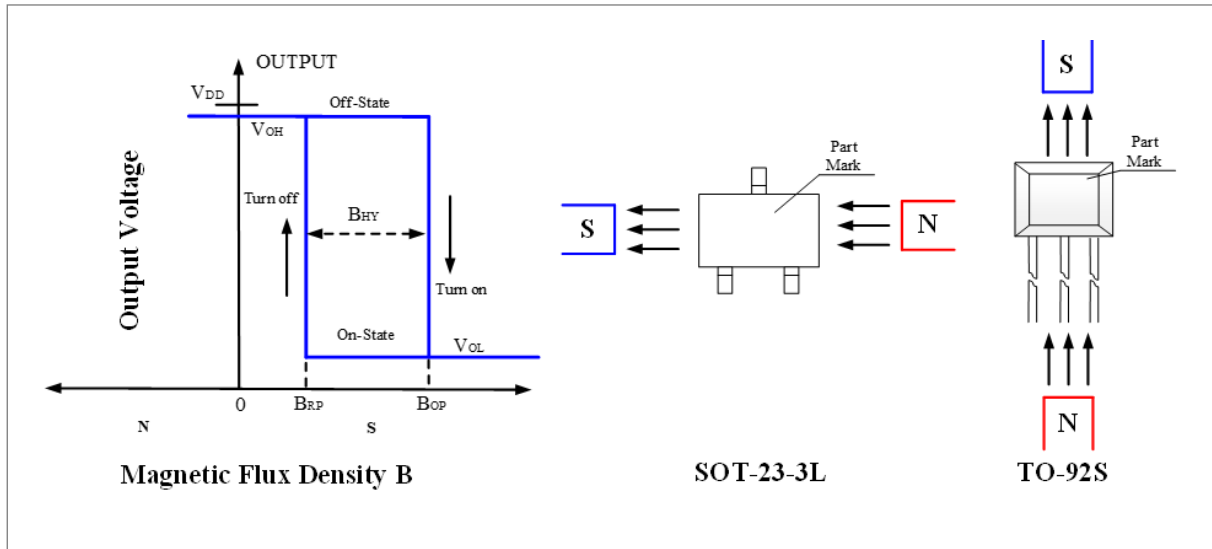
**Functional block diagram**



**Switching output characteristics**



### Output characteristics



### Electrical Data

T<sub>amb</sub> = +25°C, V<sub>DD</sub> = 3.0 V; unless otherwise specified.

Symbol	Parameter	Conditions	min.	typ.	max.	Unit
V <sub>CC</sub>	Supply voltage	Working status	1.8	5.0	5.5	V
V <sub>OL</sub>	Output low level	I <sub>OUT</sub> = 1mA	-	0.008	0.05	V
V <sub>OH</sub>	Output high level	I <sub>OUT</sub> = 1mA	V <sub>DD</sub> - 0.05	V <sub>DD</sub> - 0.015	-	V
I <sub>DD,Avg</sub>	Average current <sup>1)</sup>	T <sub>A</sub> =+25 °C , V <sub>DD</sub> = 3.0 V	-	160.0	-	nA
I <sub>DD,Awake</sub>	Awake state current <sup>1)</sup>	T <sub>A</sub> =+25 °C , V <sub>DD</sub> = 3.0 V	-	1.9	-	µA
I <sub>DD,Sleep</sub>	Sleep state current <sup>1)</sup>	T <sub>A</sub> =+25 °C , V <sub>DD</sub> = 3.0 V	-	148.0	-	nA
T <sub>Awake</sub>	Wake up time <sup>1)</sup>	Working status	-	40.0	-	µs
T <sub>Period</sub>	Cycle <sup>1)</sup>	Working status	-	20.0	-	ms
I <sub>DD,Avg</sub>	Average current <sup>2)</sup>	T <sub>A</sub> =+25 °C , V <sub>DD</sub> = 3.0 V	-	1.9	-	µA
F <sub>S</sub>	Operating frequency <sup>2)</sup>	Working status	-	5.0	-	kHz

<sup>1)</sup> Only for low speed version.

<sup>2)</sup> Only for continuous working version.

### Magnetic parameters

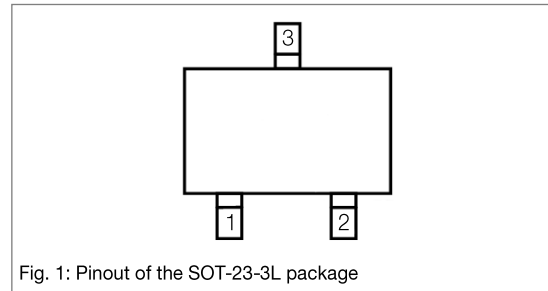
$T_{amb} = +25^{\circ}\text{C}$ ,  $V_{CC} = 3.0\text{V}$ ; unless otherwise specified.

Symbol	Parameter	Conditions	Min.	Typ.	Max.	Unit
<b>KTM1312XA series</b>						
$B_{OPS}$	Magnetic field operating point	$T_A = +25^{\circ}\text{C}$ , $V_{DD} = 3.0\text{V}$	40	45	50	Gauss
$B_{RPS}$	Magnetic release point	$T_A = +25^{\circ}\text{C}$ , $V_{DD} = 3.0\text{V}$	31	36	41	
$B_{HY} ( B_{OPX}  -  B_{RPX} )$	Hysteresis		-	9	-	
<b>KTM1312XB series</b>						
$B_{OPS}$	Magnetic field operating point	$T_A = +25^{\circ}\text{C}$ , $V_{DD} = 3.0\text{V}$	28	30	36	Gauss
$B_{RPS}$	Magnetic release point	$T_A = +25^{\circ}\text{C}$ , $V_{DD} = 3.0\text{V}$	16	21	26	
$B_{HY} ( B_{OPX}  -  B_{RPX} )$	Hysteresis		-	9	-	
<b>KTM1312XC series</b>						
$B_{OPS}$	Magnetic field operating point	$T_A = +25^{\circ}\text{C}$ , $V_{DD} = 3.0\text{V}$	15	18	24	Gauss
$B_{RPS}$	Magnetic release point	$T_A = +25^{\circ}\text{C}$ , $V_{DD} = 3.0\text{V}$	9	12	15	
$B_{HY} ( B_{OPX}  -  B_{RPX} )$	Hysteresis		-	6	-	
<b>KTM1312XD series</b>						
$B_{OPS}$	Magnetic field operating point	$T_A = +25^{\circ}\text{C}$ , $V_{DD} = 3.0\text{V}$	6	9	12	Gauss
$B_{RPS}$	Magnetic release point	$T_A = +25^{\circ}\text{C}$ , $V_{DD} = 3.0\text{V}$	3	6	9	
$B_{HY} ( B_{OPX}  -  B_{RPX} )$	Hysteresis		-	3	-	

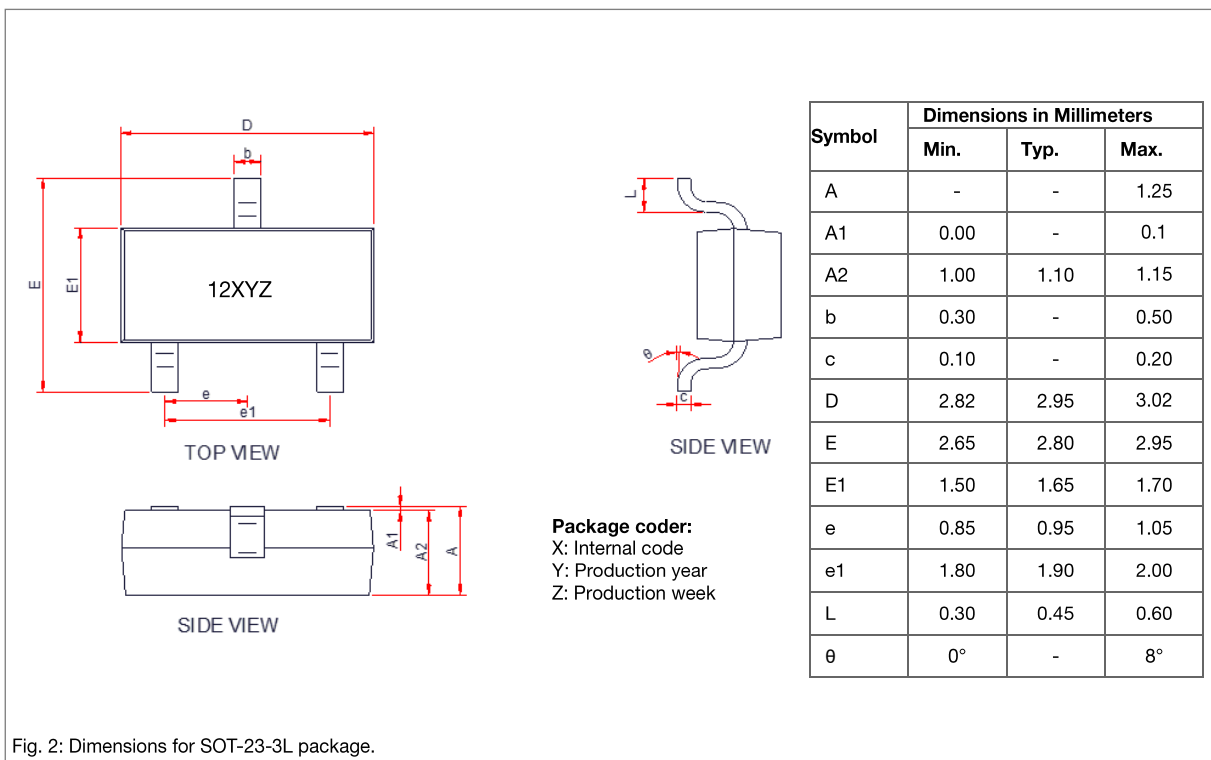
**SOT-23-3L**

**Pinout**

Pad	Symbol	Parameter
1	VDD	Supply voltage
2	Output	Output voltage
3	GND	Ground



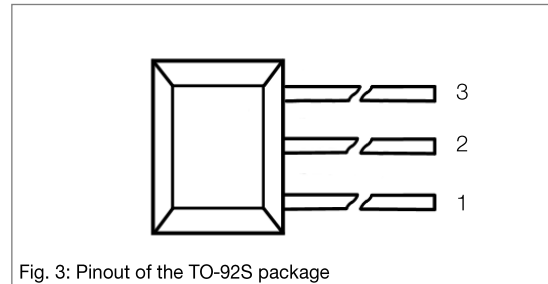
**Dimensions**



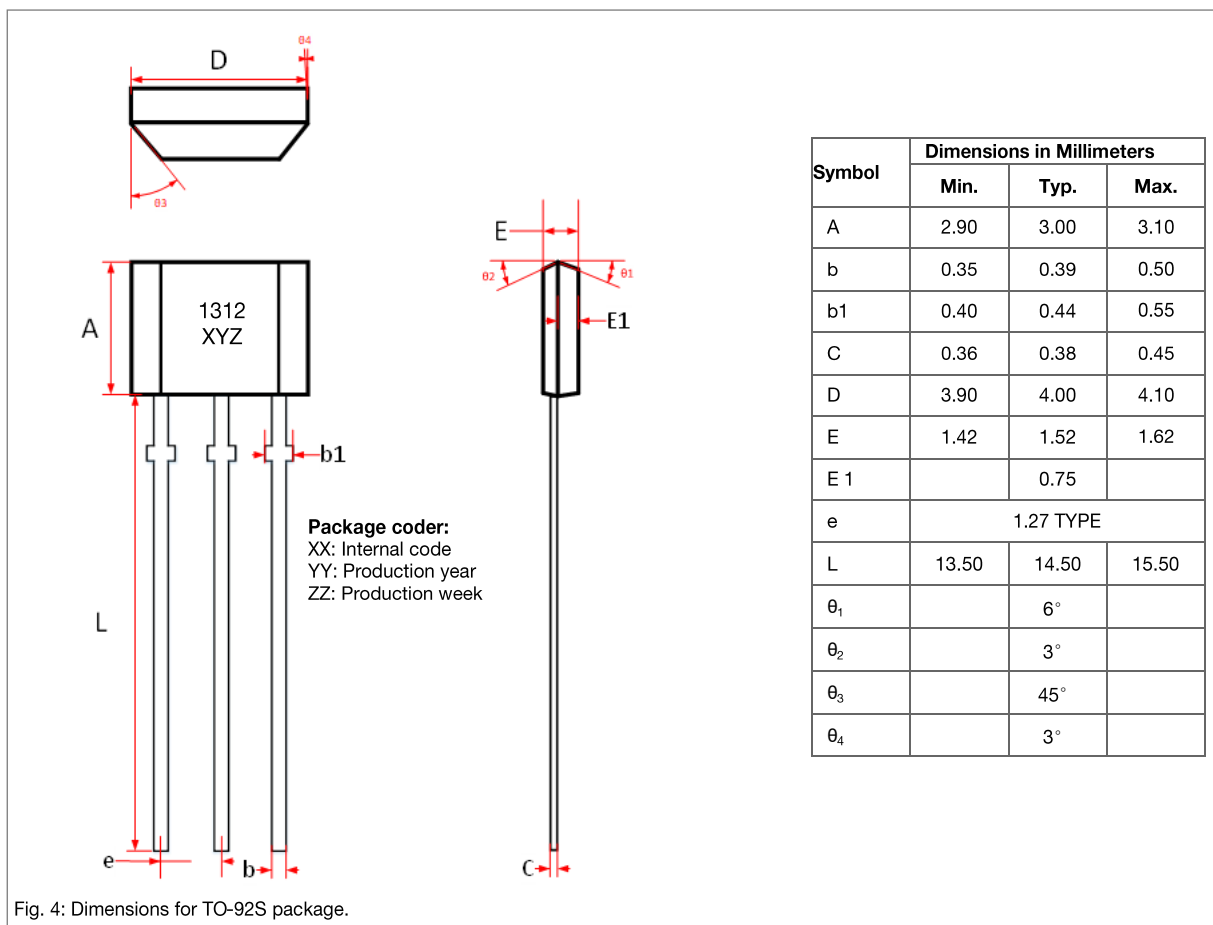
**TO-92S**

**Pinout**

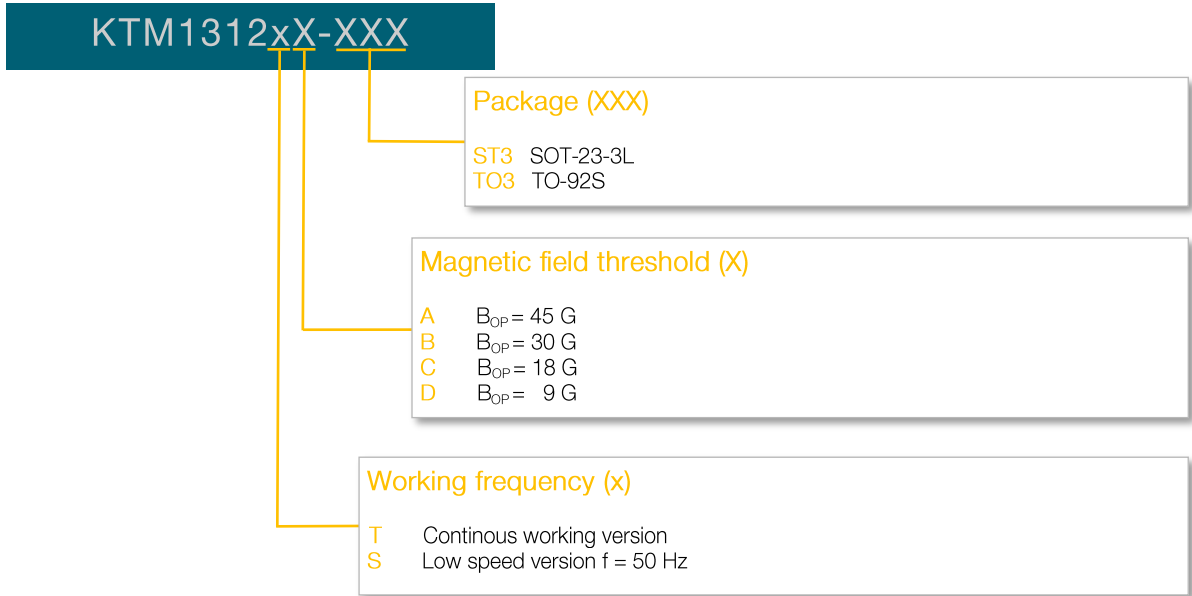
Pad	Symbol	Parameter
1	Output	Output voltage
2	GND	Ground
3	VDD	Supply voltage



**Dimensions**



**Additional Information on Ordering Code**



**Ordering information**

Model	Package form	Pin count	Magnetic Field Threshold (Bop)	Operating frequency	Temperature
KTM1312TA-ST3	SOT-23-3L	3	45 Gauss	Continuous	-40°C to +85°C
KTM1312TB-ST3	SOT-23-3L	3	30 Gauss	Continuous	-40°C to +85°C
KTM1312TC-ST3	SOT-23-3L	3	18 Gauss	Continuous	-40°C to +85°C
KTM1312TD-ST3	SOT-23-3L	3	9 Gauss	Continuous	-40°C to +85°C
KTM1312SA-ST3	SOT-23-3L	3	45 Gauss	50Hz	-40°C to +85°C
KTM1312SB-ST3	SOT-23-3L	3	30 Gauss	50Hz	-40°C to +85°C
KTM1312SC-ST3	SOT-23-3L	3	18 Gauss	50Hz	-40°C to +85°C
KTM1312SD-ST3	SOT-23-3L	3	9 Gauss	50Hz	-40°C to +85°C
KTM1312TA-TO3	TO-92S	3	45 Gauss	Continuous	-40°C to +85°C
KTM1312TB-TO3	TO-92S	3	30 Gauss	Continuous	-40°C to +85°C
KTM1312TC-TO3	TO-92S	3	18 Gauss	Continuous	-40°C to +85°C
KTM1312TD-TO3	TO-92S	3	9 Gauss	Continuous	-40°C to +85°C
KTM1312SA-TO3	TO-92S	3	45 Gauss	50Hz	-40°C to +85°C
KTM1312SB-TO3	TO-92S	3	30 Gauss	50Hz	-40°C to +85°C
KTM1312SC-TO3	TO-92S	3	18 Gauss	50Hz	-40°C to +85°C
KTM1312SD-TO3	TO-92S	3	9 Gauss	50Hz	-40°C to +85°C

## General Information

### Product Status

Article	Status
KTM1312	The product is in series production.
<b>Note</b>	The status of the product may have changed since this data sheet was published. The latest information is available on the internet at <a href="http://www.sensitec.com">www.sensitec.com</a> .

### Disclaimer

Sensitec GmbH reserves the right to make changes, without notice, in the products, including software, described or contained herein in order to improve design and/or performance. Information in this document is believed to be accurate and reliable. However, Sensitec GmbH does not give any representations or warranties, expressed or implied, as to the accuracy or completeness of such information and shall have no liability for the consequences of use of such information. Sensitec GmbH takes no responsibility for the content in this document if provided by an information source outside of Sensitec products. In no event shall Sensitec GmbH be liable for any indirect, incidental, punitive, special or consequential damages (including but not limited to lost profits, lost savings, business interruption, costs related to the removal or replacement of any products or rework charges) irrespective the legal base the claims are based on, including but not limited to tort (including negligence), warranty, breach of contract, equity or any other legal theory. Notwithstanding any damages that customer might incur for any reason whatsoever, Sensitec product aggregate and cumulative liability towards customer for the products described herein shall be limited in accordance with the General Terms and Conditions of Sale of Sensitec GmbH. Nothing in this document may be interpreted or construed as an offer to sell products that is open for acceptance or the grant, conveyance or implication of any license under any copyrights, patents or other industrial or intellectual property rights. Unless otherwise agreed upon in an individual agreement Sensitec products sold are subject to the General Terms and Conditions of Sales as published at [www.sensitec.com](http://www.sensitec.com). The use and/or application of our products in a military end use is explicitly prohibited. In the event of infringements, we reserve the right to take legal action, including but not limited to the assertion of claims for damages and/or the immediate termination of the business relationship.



## General Information

### Application Information

Applications that are described herein for any of these products are for illustrative purposes only. Sensitec GmbH makes no representation or warranty – whether expressed or implied – that such applications will be suitable for the specified use without further testing or modification. Customers are responsible for the design and operation of their applications and products using Sensitec products, and Sensitec GmbH accepts no liability for any assistance with applications or customer product design. It is customer's sole responsibility to determine whether the Sensitec product is suitable and fit for the customer's applications and products planned, as well as for the planned application and use of customer's third party customer(s). Customers should provide appropriate design and operating safeguards to minimize the risks associated with their applications and products. Sensitec GmbH does not accept any liability related to any default, damage, costs or problem which is based on any weakness or default in the customer's applications or products, or the application or use by customer's third party customer(s). Customer is responsible for doing all necessary testing for the customer's applications and products using Sensitec products in order to avoid a default of the applications and the products or of the application or use by customer's third party customer(s). Sensitec does not accept any liability in this respect.

### Life Critical Applications

These products are not qualified for use in life support appliances, aeronautical applications or devices or systems where malfunction of these products can reasonably be expected to result in personal injury.

### Copyright © by Sensitec GmbH, Germany

All rights reserved. No part of this document may be copied or reproduced in any form or by any means without the prior written agreement of the copyright owner. The information in this document is subject to change without notice. Please observe that typical values cannot be guaranteed. Sensitec GmbH does not assume any liability for any consequence of its use.

### Changelist

Version	Description of the Change	Date
KTM1312.DSE.01	Distinction between continuous and low speed version added to electrical data	11/2024
KTM1312.DSE.00	Original (pp. 1-9)	09/2014

### Sensitec GmbH

Schanzenfeldstr. 2 • 35578 Wetzlar • Germany  
 Tel +49 (0) 6441 5291-0 • Fax +49 (0) 6441 5291-117  
 sensitec@sensitec.com • www.sensitec.com