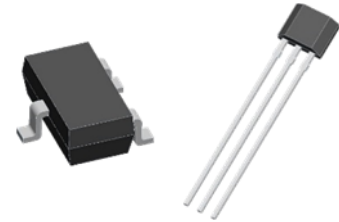


KTM1311

Unipolar South Pole Switching Sensor with CMOS output interface

KTM1311 is a magnetic switch sensor integrating tunneling magnetoresistance (TMR) technology and CMOS technology. With the characteristics of high precision, high speed, low power consumption and high sensitivity, it is suitable for magnetic field switch detection of industrial electronics and consumer electronics. The internal circuit of the chip includes a voltage generator, a comparator, a digital logic control module, a threshold trimming module and a CMOS output circuit. KTM1311 has wide working voltage range and wide working temperature range. This series of chips can provide a variety of magnetic field thresholds, switching operating frequencies and packaging forms to suit various applications.

KTM1311 is an S-pole magnetic field detection switch, which can provide S-pole magnetic response with extremely low current consumption. It detects the magnetic field parallel to the surface of the chip package. When the magnetic field strength is greater than the operating point (BOP S), the switch outputs a low level; when the magnetic field strength is lower than the release point (BRP S), the switch outputs a high level. The chip can be operated in a supply voltage range from 1.8V to 5.5V and comes in standard SOT-23-3L and TO-92S packages.



Features

- Ultra low power consumption
- Wide operating voltage range
- Selectable Magnetic Field Threshold
- Magnetic Type: South pole
- CMOS output interface
- Operation temperature range from -40°C to +85°C
- Excellent ESD performance

Absolute Maximum Ratings

In accordance with the absolute maximum rating system (IEC60134).

Symbol	Parameter	Min.	Max.	Unit
V _{CC}	Supply voltage	-0.3	6.0	V
I _{Output}	Output drive current	-	5	mA
B	Withstand magnetic field <5 min	-	3000	G
T _{junction}	Maximum junction temperature	-	+150	°C
T _{stg}	Storage temperature	-50	+150	°C
T _{working}	Working temperature	-40	+85	°C
T _{reflow}	Reflow soldering temperature	-	260	°C
ESD _{HBM}	Human body model ESD	-	8000	V

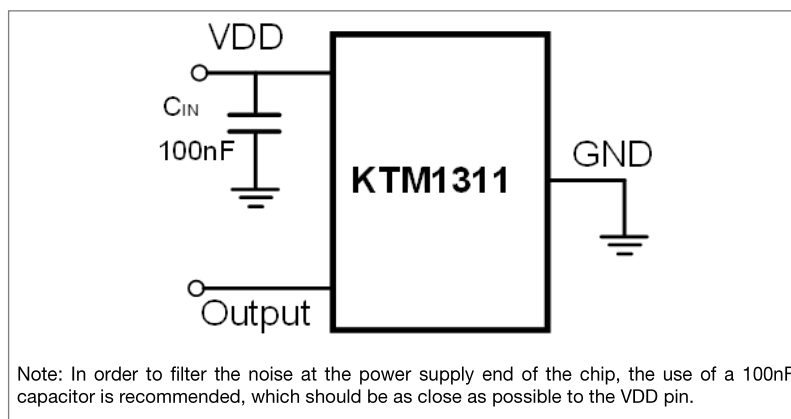
Stresses beyond those listed under "Absolute maximum ratings" may cause permanent damage to the device.

This is a stress rating only and functional operation of the device at these or any other conditions beyond those indicated in the operational sections of this specification is not implied. Exposure to absolute maximum rating conditions for extended periods may affect device reliability.

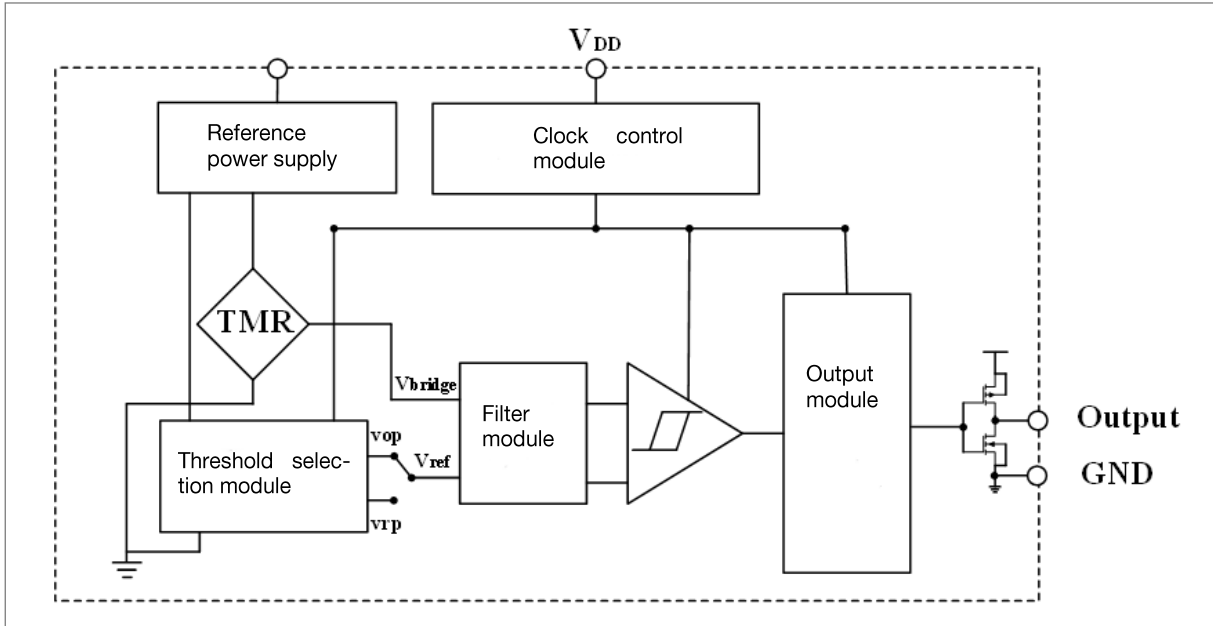
Application

- Water meter, gas meter, flow meter
- non-contact detection
- Electronic lock, valve position detection
- Laptop and Tablet Switch Detection
- TWS headset, mobile phone

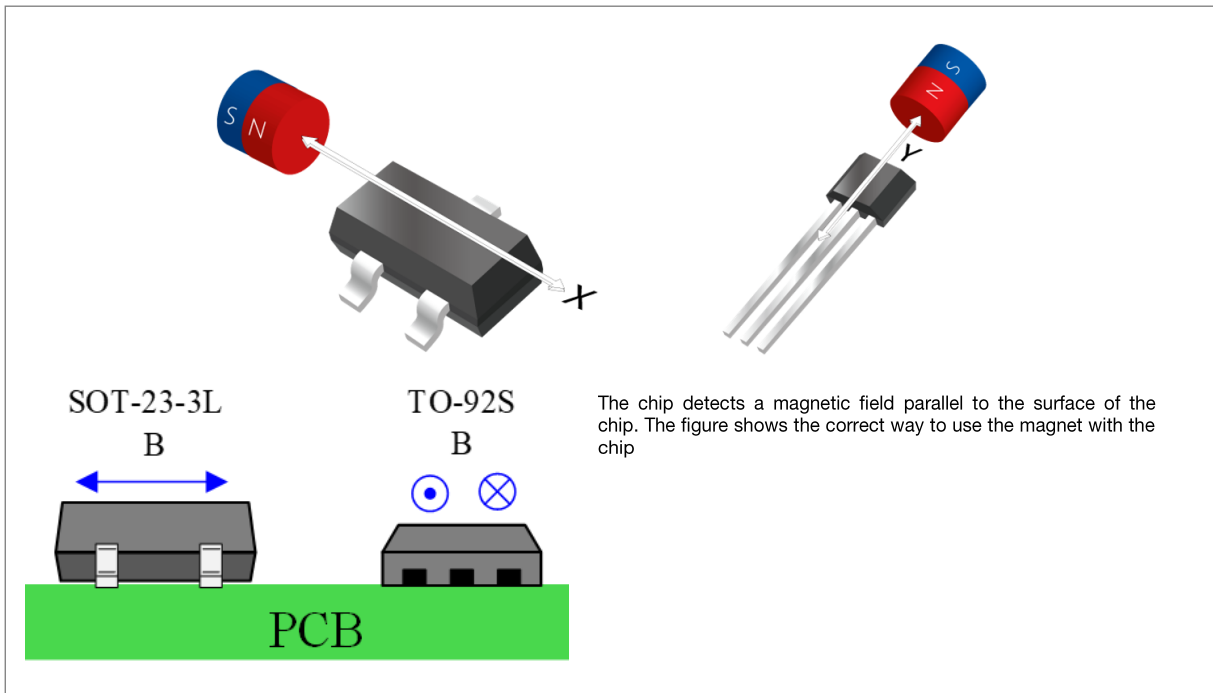
Application circuit schematic



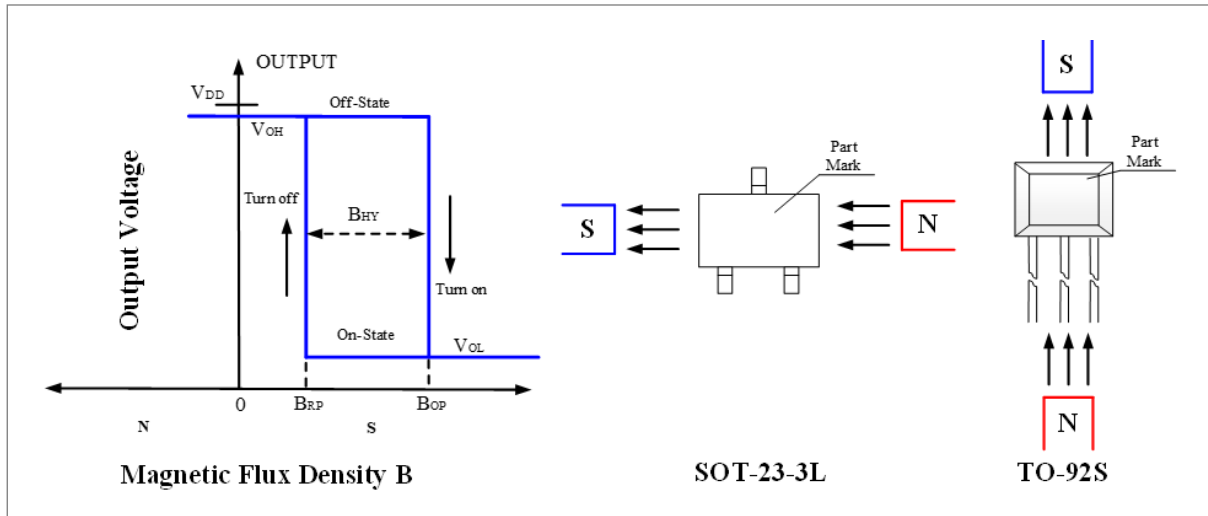
Functional block diagram



Switching output characteristics



Output characteristics



Electrical Data

T_{amb} = +25°C, V_{DD} = 3.0 V; unless otherwise specified.

Symbol	Parameter	Conditions	min.	typ.	max.	Unit
V _{CC}	Supply voltage	Working status	1.8	5.0	5.5	V
V _{OL}	Output low level	I _{OUT} = 1mA	-	0.015	0.1	V
V _{OH}	Output high level	I _{OUT} = 1mA	V _{DD} - 0.1	V _{DD} - 0.005	-	V
I _{DD,Avg}	Average current ¹⁾	T _A =+25 °C , V _{DD} = 3.0 V	-	160.0	-	nA
I _{DD,Awake}	Awake state current ¹⁾	T _A =+25 °C , V _{DD} = 3.0 V	-	1.9	-	µA
I _{DD,Sleep}	Sleep state current ¹⁾	T _A =+25 °C , V _{DD} = 3.0 V	-	148.0	-	nA
T _{Awake}	Wake up time ¹⁾	Working status	-	40.0	-	µs
T _{Period}	Cycle ¹⁾	Working status	-	20.0	-	ms
I _{DD,Avg}	Average current ²⁾	T _A =+25 °C , V _{DD} = 3.0 V	-	1.9	-	µA
F _S	Operating frequency ²⁾	Working status	-	5.0	-	kHz

¹⁾ Only for low speed version.

²⁾ Only for continuous working version.

Magnetic parameters

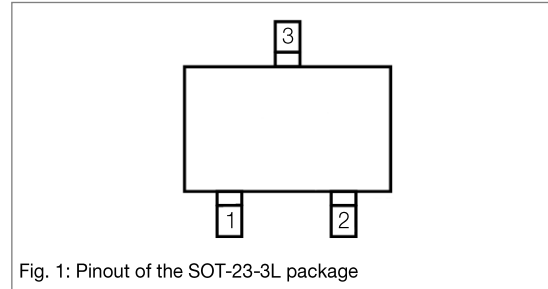
$T_{amb} = +25^{\circ}\text{C}$, $V_{CC} = 3.0\text{V}$; unless otherwise specified.

Symbol	Parameter	Conditions	Min.	Typ.	Max.	Unit
KTM1311XA series						
B_{OPS}	Magnetic field operating point	$T_A = +25^{\circ}\text{C}$, $V_{DD} = 3.0\text{V}$	40	45	50	Gauss
B_{RPS}	Magnetic release point	$T_A = +25^{\circ}\text{C}$, $V_{DD} = 3.0\text{V}$	31	36	41	
$B_{HY} (B_{OPX} - B_{RPX})$	Hysteresis		-	9	-	
KTM1311XB series						
B_{OPS}	Magnetic field operating point	$T_A = +25^{\circ}\text{C}$, $V_{DD} = 3.0\text{V}$	28	30	36	Gauss
B_{RPS}	Magnetic release point	$T_A = +25^{\circ}\text{C}$, $V_{DD} = 3.0\text{V}$	16	21	26	
$B_{HY} (B_{OPX} - B_{RPX})$	Hysteresis		-	9	-	
KTM1311XC series						
B_{OPS}	Magnetic field operating point	$T_A = +25^{\circ}\text{C}$, $V_{DD} = 3.0\text{V}$	15	18	24	Gauss
B_{RPS}	Magnetic release point	$T_A = +25^{\circ}\text{C}$, $V_{DD} = 3.0\text{V}$	9	12	15	
$B_{HY} (B_{OPX} - B_{RPX})$	Hysteresis		-	6	-	
KTM1311XD series						
B_{OPS}	Magnetic field operating point	$T_A = +25^{\circ}\text{C}$, $V_{DD} = 3.0\text{V}$	6	9	12	Gauss
B_{RPS}	Magnetic release point	$T_A = +25^{\circ}\text{C}$, $V_{DD} = 3.0\text{V}$	3	6	9	
$B_{HY} (B_{OPX} - B_{RPX})$	Hysteresis		-	3	-	

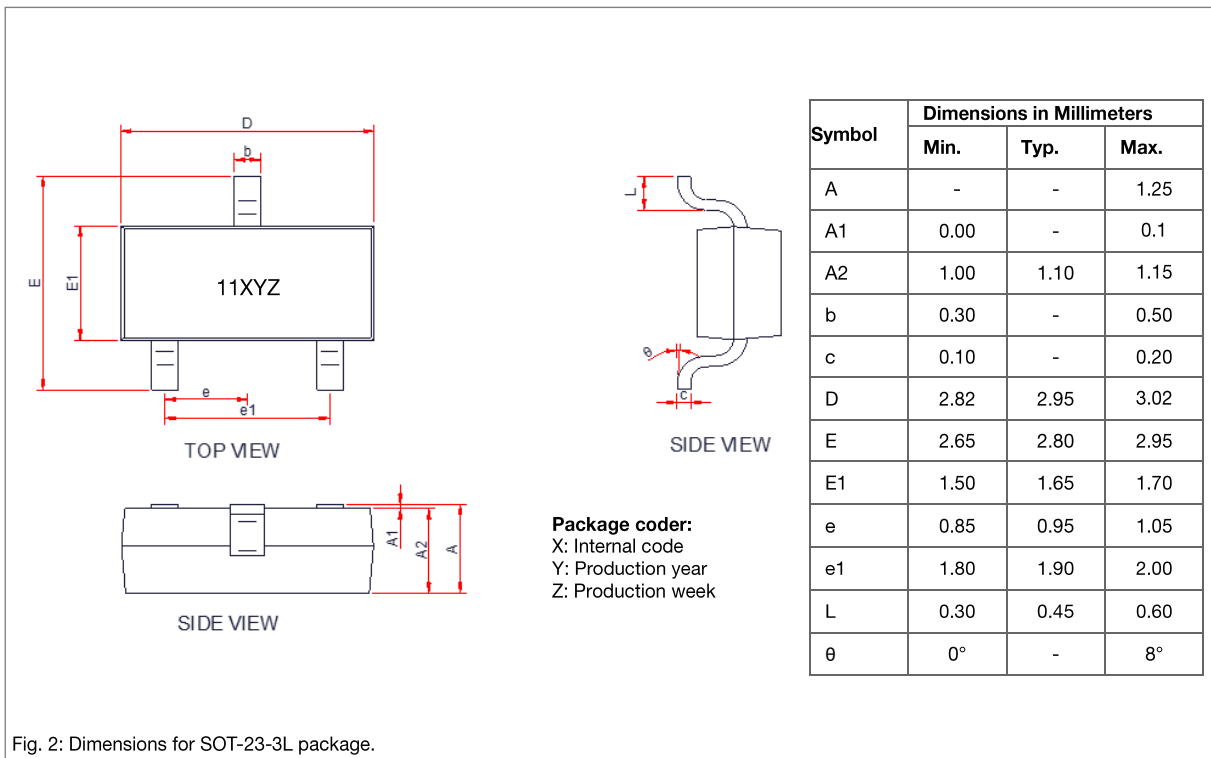
SOT-23-3L

Pinout

Pad	Symbol	Parameter
1	VDD	Supply voltage
2	Output	Output voltage
3	GND	Ground



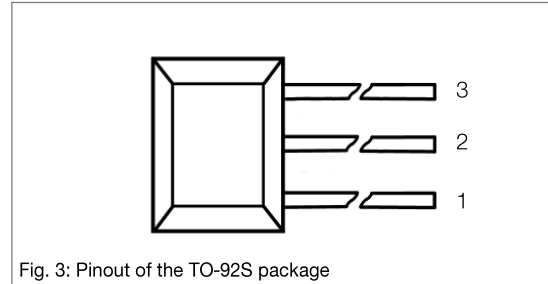
Dimensions



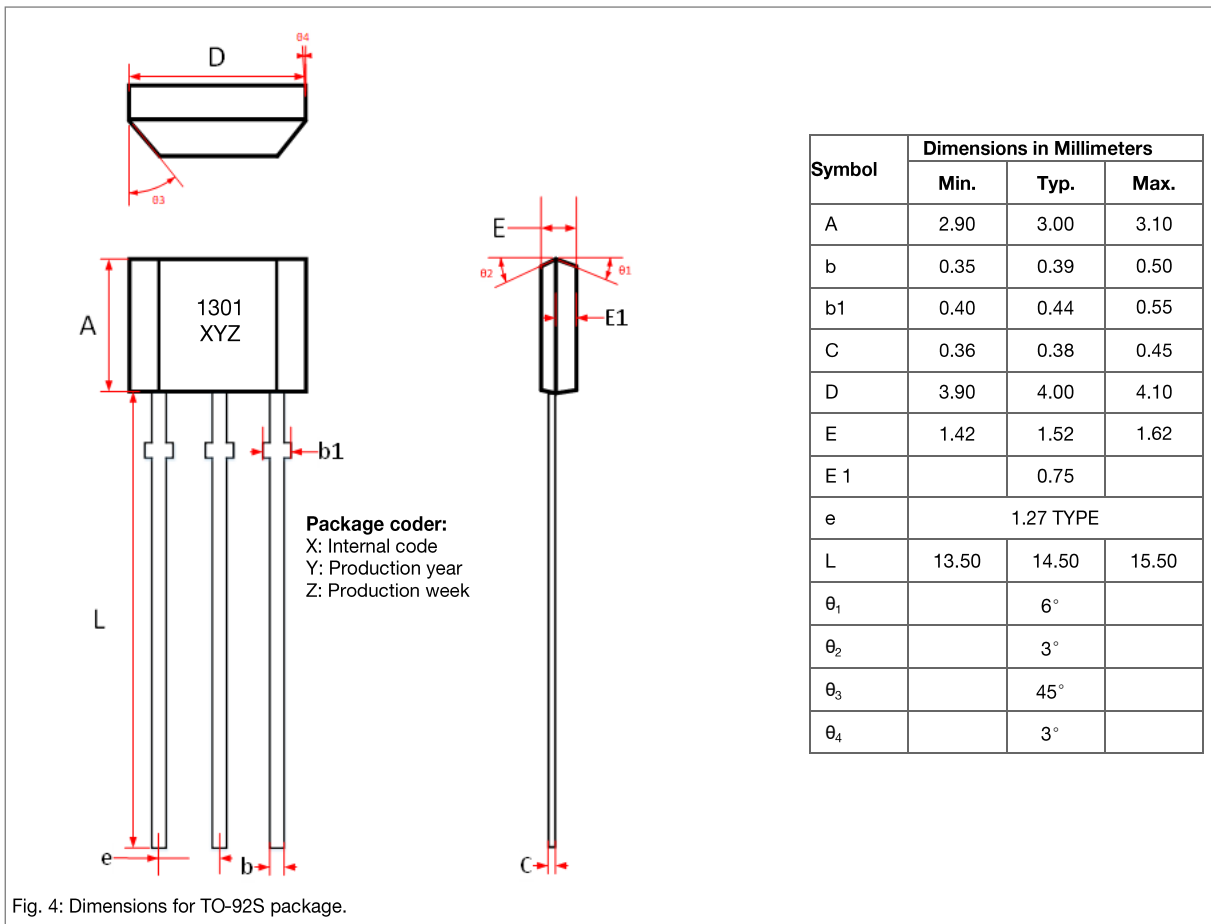
T=-92S

Pinout

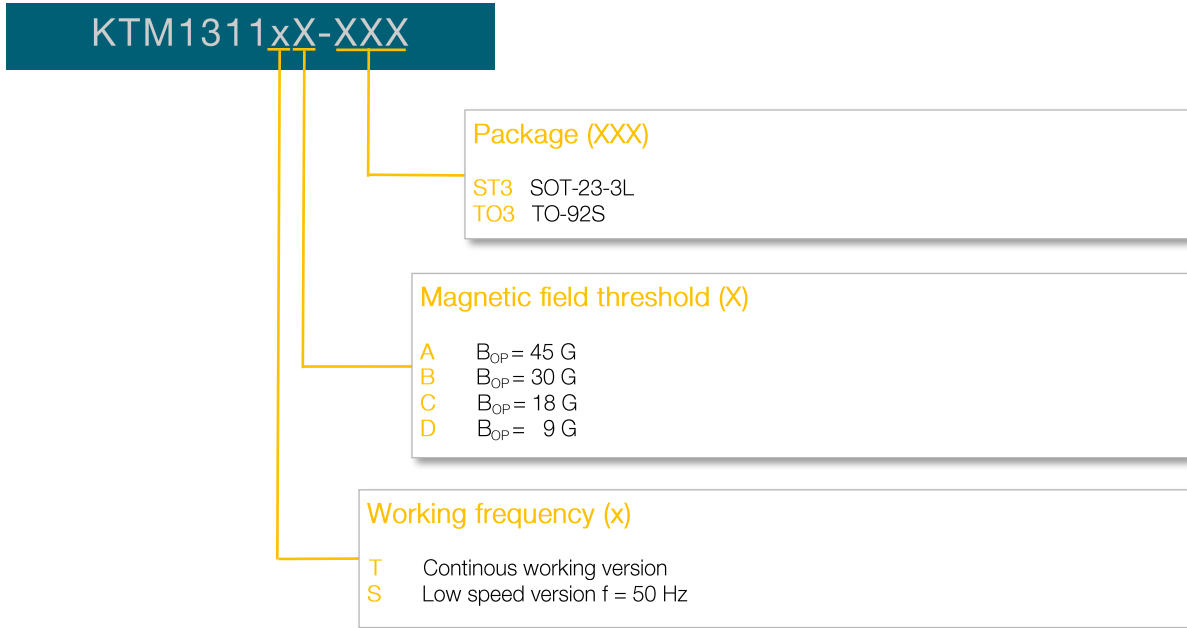
Pad	Symbol	Parameter
1	Output	Output voltage
2	GND	Ground
3	VDD	Supply voltage



Dimensions



Additional Information on Ordering Code



Ordering information

Model	Package form	Pin count	Magnetic Field Threshold (Bop)	Operating frequency	Temperature
KTM1311TA-ST3	SOT-23-3L	3	45 Gauss	Continuous	-40°C to +85°C
KTM1311TB-ST3	SOT-23-3L	3	30 Gauss	Continuous	-40°C to +85°C
KTM1311TC-ST3	SOT-23-3L	3	18 Gauss	Continuous	-40°C to +85°C
KTM1311TD-ST3	SOT-23-3L	3	9 Gauss	Continuous	-40°C to +85°C
KTM1311SA-ST3	SOT-23-3L	3	45 Gauss	50Hz	-40°C to +85°C
KTM1311SB-ST3	SOT-23-3L	3	30 Gauss	50Hz	-40°C to +85°C
KTM1311SC-ST3	SOT-23-3L	3	18 Gauss	50Hz	-40°C to +85°C
KTM1311SD-ST3	SOT-23-3L	3	9 Gauss	50Hz	-40°C to +85°C
KTM1311TA-TO3	TO-92S	3	45 Gauss	Continuous	-40°C to +85°C
KTM1311TB-TO3	TO-92S	3	30 Gauss	Continuous	-40°C to +85°C
KTM1311TC-TO3	TO-92S	3	18 Gauss	Continuous	-40°C to +85°C
KTM1311TD-TO3	TO-92S	3	9 Gauss	Continuous	-40°C to +85°C
KTM1311SA-TO3	TO-92S	3	45 Gauss	50Hz	-40°C to +85°C
KTM1311SB-TO3	TO-92S	3	30 Gauss	50Hz	-40°C to +85°C
KTM1311SC-TO3	TO-92S	3	18 Gauss	50Hz	-40°C to +85°C
KTM1311SD-TO3	TO-92S	3	9 Gauss	50Hz	-40°C to +85°C

General Information

Product Status

Article	Status
KTM1311	The product is in series production.
Note	The status of the product may have changed since this data sheet was published. The latest information is available on the internet at www.sensitec.com .

Disclaimer

Sensitec GmbH reserves the right to make changes, without notice, in the products, including software, described or contained herein in order to improve design and/or performance. Information in this document is believed to be accurate and reliable. However, Sensitec GmbH does not give any representations or warranties, expressed or implied, as to the accuracy or completeness of such information and shall have no liability for the consequences of use of such information. Sensitec GmbH takes no responsibility for the content in this document if provided by an information source outside of Sensitec products. In no event shall Sensitec GmbH be liable for any indirect, incidental, punitive, special or consequential damages (including but not limited to lost profits, lost savings, business interruption, costs related to the removal or replacement of any products or rework charges) irrespective the legal base the claims are based on, including but not limited to tort (including negligence), warranty, breach of contract, equity or any other legal theory. Notwithstanding any damages that customer might incur for any reason whatsoever, Sensitec product aggregate and cumulative liability towards customer for the products described herein shall be limited in accordance with the General Terms and Conditions of Sale of Sensitec GmbH. Nothing in this document may be interpreted or construed as an offer to sell products that is open for acceptance or the grant, conveyance or implication of any license under any copyrights, patents or other industrial or intellectual property rights. Unless otherwise agreed upon in an individual agreement Sensitec products sold are subject to the General Terms and Conditions of Sales as published at www.sensitec.com. The use and/or application of our products in a military end use is explicitly prohibited. In the event of infringements, we reserve the right to take legal action, including but not limited to the assertion of claims for damages and/or the immediate termination of the business relationship.

General Information

Application Information

Applications that are described herein for any of these products are for illustrative purposes only. Sensitec GmbH makes no representation or warranty – whether expressed or implied – that such applications will be suitable for the specified use without further testing or modification. Customers are responsible for the design and operation of their applications and products using Sensitec products, and Sensitec GmbH accepts no liability for any assistance with applications or customer product design. It is customer's sole responsibility to determine whether the Sensitec product is suitable and fit for the customer's applications and products planned, as well as for the planned application and use of customer's third party customer(s). Customers should provide appropriate design and operating safeguards to minimize the risks associated with their applications and products. Sensitec GmbH does not accept any liability related to any default, damage, costs or problem which is based on any weakness or default in the customer's applications or products, or the application or use by customer's third party customer(s). Customer is responsible for doing all necessary testing for the customer's applications and products using Sensitec products in order to avoid a default of the applications and the products or of the application or use by customer's third party customer(s). Sensitec does not accept any liability in this respect.

Life Critical Applications

These products are not qualified for use in life support appliances, aeronautical applications or devices or systems where malfunction of these products can reasonably be expected to result in personal injury.

Copyright © by Sensitec GmbH, Germany

All rights reserved. No part of this document may be copied or reproduced in any form or by any means without the prior written agreement of the copyright owner. The information in this document is subject to change without notice. Please observe that typical values cannot be guaranteed. Sensitec GmbH does not assume any liability for any consequence of its use.

Changelist

Version	Description of the Change	Date
KTM1311.DSE.01	Distinction between continuous and low speed version added to electrical data	11/2024
KTM1311.DSE.00	Original (pp. 1-9)	09/2014

Sensitec GmbH

Schanzenfeldstr. 2 • 35578 Wetzlar • Germany
 Tel +49 (0) 6441 5291-0 • Fax +49 (0) 6441 5291-117
 sensitec@sensitec.com • www.sensitec.com